



TURN ANY ELECTRICAL OUTLET INTO A PHONE JACK.

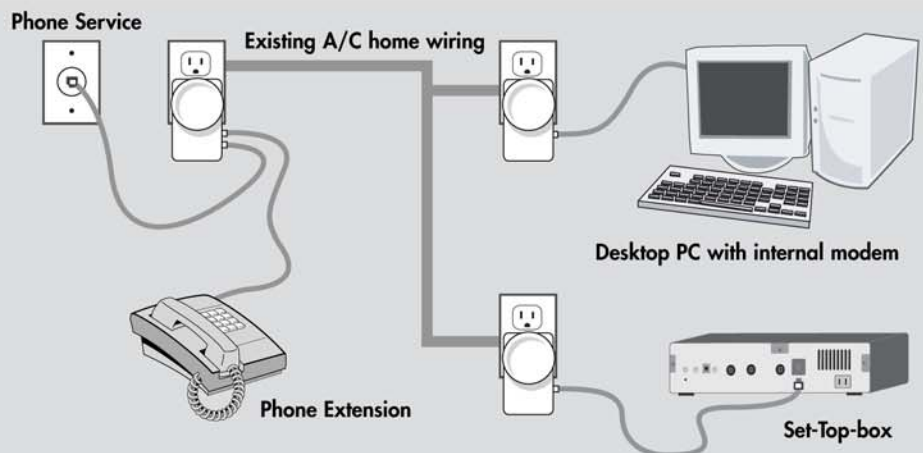
The Easy Jack is designed to turn any electrical outlet into a phone jack that can be used to connect computer modems, video set-top-boxes, Internet appliances, fax machines, and other data oriented devices to the phone line. Put your computer in that spare bedroom or basement den, access the Internet from the kitchen or upstairs home office. The Easy Jack gives you the freedom to add a phone jack anywhere your computing needs take you, in less than five minutes.

- Turns any power outlet into a phone jack
- Works with any phone device
- Works in apartments, condos, town homes, etc.
- Easy to move, remove, and take with you anywhere!



SIMPLE INSTALLATION STEPS:

1. Plug the base unit into an electrical outlet and connect to an existing phone jack.
2. Plug the extension unit into an outlet where you need it
3. Set the security code by pressing the button on the side of each unit.
4. Connect to the set-top-box, computer or internet appliance.



SPECIFICATIONS FOR THE EASY JACK MODEL PX-441

| | |
|----------------------|---|
| Contents | (1) base, (1) extension, 6 foot phone cord, owners manual, warranty card |
| Size | 3" x 4.25" x 2" each |
| Audio Bandwidth | 300-3800 HZ 7.3 DB |
| FM Carrier Frequency | 3.3 MHZ, 8.2 MHZ |
| Max. number of units | One base unit and up to eight extension units can be on a powerline. Only the base unit and one extension unit can be in use at a time. |

CONTACT

Phonex Broadband Corporation
 6952 High Tech Drive
 Midvale, Utah, U.S.A. 84047
 Toll Free: 1.800.257.0601
 Fax: 1.801.566.0880
 Email: sales@phonex.com
 Web: www.phonex.com